

PPS **PRINTERS' ARTS STORE, INC.**

2010/2011

1708 NW 1ST

OKLAHOMA CITY, OK 73106

800-375-3787

405-272-0272

405-232-3053(FAX)

ppsokc@aol.com

www.ppsokc.com

Worldwide Electric Gear & Shaft Reducer Products



Shaft Mount Reducer



**Right / Left Angle Worm Gear Reducer
Flange Input
Shaft Output**



**Right / Left Angle Worm Gear Reducer
Shaft Input
Shaft Output**



**Right / Left Angle Worm Gear Reducer
Flange Input
Double End Output**



**Right / Left Angle Worm Gear Reducer
Flange Input
Hollow Bore Output**



Aluminum Worm Gear Reducer

Open: Monday Thru Friday 8:00 A.M. - 5:00 P.M. CST

Closed: New Years Day, Memorial Day, Independence Day, Labor Day, Thanksgiving And Christmas

Orders For In Stock Items Received By 2:00 P.M. CST Will Ship The Same Day. Orders Received After 2:00 P.M. CST Will Ship If Possible.



Table Of Contents

<u>Shaft Mount Reducers</u>	Page 3-10
Specifications	Page 4-5
Output Shaft Overhung Loads	Page 6
Original Shaft Mount Reducers	Page 6
Ultimate Shaft Mount Reducers	Page 7
Dimensions	Page 8
Tapered Bushing Kits	Page 9
Backstop Assemblies	Page 10
Motor Mounts	Page 10
Torque Arms	Page 10
Belt Guards	Page 10
<u>Worm Gear Reducers</u>	Page 11-22
Features / Benefits	Page 11
How To Order	Page 12
Mechanical Ratings	Page 13
Specifications	Page 12
Flange Input - Shaft Output	Page 14-16
Flange Input - Hollow Bore Output	Page 17-20
Shaft Input - Shaft Output	Page 19-20
Mounting Bases	Page 21
Flower Pot Flange Kits	Page 22
<u>Aluminum Worm Gear Reducers</u>	Page 23-27
Specifications	Page 23-24
Mechanical Ratings	Page 25
Dimensions	Page 26
Output Flanges	Page 27
Single Output Shafts	Page 27
Double Output Shafts	Page 27
Torque Arms	Page 27

Shaft Mount Reducers

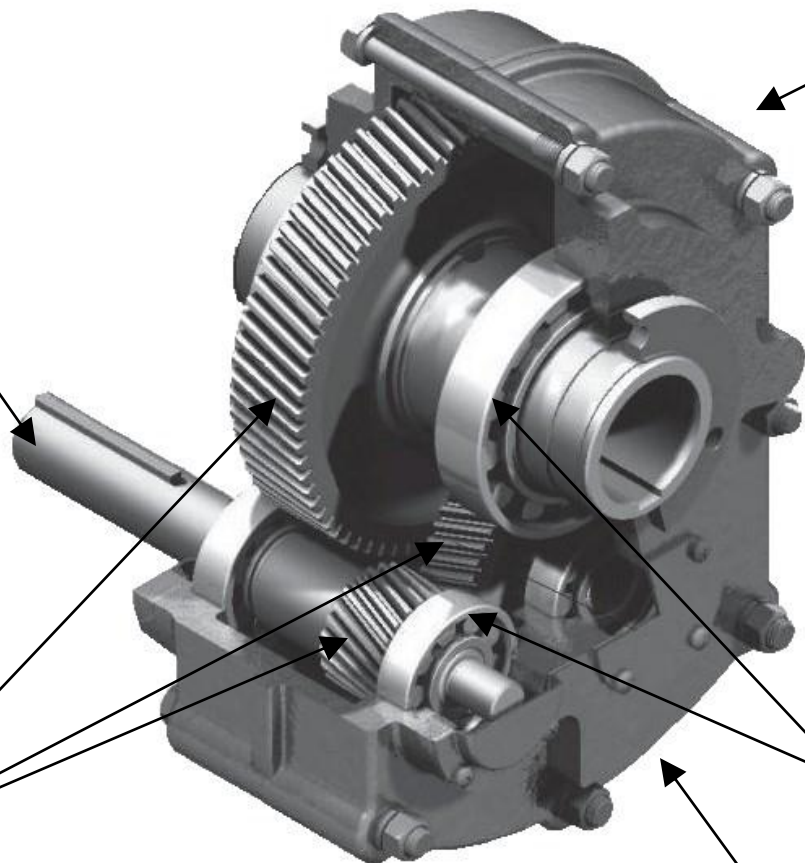


Our Worldwide Shaft Mount Reducers
Are All Guaranteed With A Full 2-Year Warranty



All Shafts Machined
From High Grade
Steel And Protected
With Metal
Reinforced Double
Lip Spring Loaded
Oil Seals

In Stock In
Sizes 2-9
And Ratios
15:1 And
25:1



Full Line
Of
Accessories
In Stock
For
Immediate
Shipment

Only Premium
Quality Ball And
Tapered Roller
Bearings

All Gears Manufactured
From High Grade Steel,
Case Hardened And
Precision Ground To
AGMA Standards

Exact Drop-In For
Most Major Makes

Industrial Grade
All-Cast Iron
Housings, Protect
Gearing For Life



Every Shaft Mount Unit Includes Torque Arm

Mechanical Ratings For Shaft Mount Reducers

Reducer Model Number	Service Class I			Service Class II			Service Class III		
	Power (HP)	Ouput (RPM)	Output * Torque	Power (HP)	Ouput (RPM)	Output * Torque	Power (HP)	Ouput (RPM)	Output * Torque
SMR2-15/1	2	18-32	6700-3769	1.5	19-34	4761-2660	1.5	27-51	3350-1774
	3	27-51	6700-3547	2	25-47	4824-2566	2	37-71	3260-1699
	5	71-85	4247-3547	3	39-75	4639-2412	3	58-113	3119-1601
	7.5	75-140	6030-3230	5	70-136	4307-2217	5	104-140	2899-2154
	10	104-140	5798-4307	7.5	111-140	4074-3230			
SMR2-25/1	0.5	4-6	7538-5025	0.33	4-6	5025-3350	0.25	4-6	3769-2513
	0.75	6-10	7538-4523	0.5	6-9	5025-3350	0.33	5-9	4020-2233
	1	8-15	7538-4020	0.75	9-16	5025-2827	0.5	8-15	6769-2010
	1.5	13-23	6958-3933	1	12-22	5025-2741	0.75	13-23	3479-1966
	2	18-32	6700-3769	1.5	19-34	4761-2660	1	18-32	3350-1884
	3	27-51	6700-3547	2	25-47	4824-2566	1.5	27-51	3350-1774
	5	47-70	6415-4307	3	39-75	4639-2412	2	37-71	3260-1699
	7.5	75-85	6030-5321	5	70-85	4307-3547	3	58-85	3119-2128
SMR3-15/1	5	27-46	11167-6555	2	15-24	8040-5025	2	22-36	5482-3350
	7.5	41-74	11031-6112	3	23-38	7865-4761	3	33-57	5482-3174
	10	57-103	10579-5855	5	38-69	7934-4370	5	57-103	5290-2927
	15	94-140	9623-6461	7.5	60-110	7538-4111	7.5	94-140	4811-3230
				10	85-140	7094-4307			
SMR3-25/1	0.75	4-5	11307-9045	0.5	4-5	7538-6030	0.5	6-7	5025-4307
	1	6-7	10050-8615	0.75	6-8	7538-5623	0.75	8-12	5653-3769
	1.5	8-12	11307-7538	1	8-11	7538-5482	1	11-17	5482-3547
	2	11-17	10964-7094	1.5	12-18	7538-5025	1.5	16-26	5653-3479
	3	16-26	11307-6958	2	15-24	8040-5025	2	22-36	5482-3350
	5	27-46	11167-6555	3	23-38	7865-4761	3	33-57	5482-3174
	7.5	41-74	11031-6112	5	38-69	7934-4370	5	57-85	5290-3547
SMR4-15/1	5	18-26	16750-11596	3	15-22	12060-8223	3	21-32	8615-5653
	7.5	27-40	16750-11307	5	25-37	12060-8149	5	37-56	8149-5384
	10	37-56	16298-10768	7.5	39-59	11596-7665	7.5	57-93	7934-4863
	15	57-93	15869-9726	10	53-84	11378-7179	10	79-141	7633-4277
	20	79-140	15266-8615	15	83-140	10898-6461			
SMR4-25/1	25	102-140	14780-10768						
	1	4-5	15075-12060	0.75	4-5	11307-9045	0.5	4-5	7538-6030
	1.5	5-7	18091-12922	1	5-7	12060-8515	0.75	5-7	9045-6461
	2	7-10	17229-12060	1.5	7-11	12922-8223	1	7-10	8615-6030
	3	11-15	16446-12060	2	10-14	12060-8615	1.5	11-15	8223-6030
	5	18-26	16750-11596	3	15-22	12060-8223	2	14-21	8615-5743
	7.5	27-40	16750-11307	5	25-37	12060-8149	3	21-32	8615-5653
	10	37-56	16298-10768	7.5	39-59	11596-7665	5	37-56	8149-5384
SMR5-15/1	15	57-85	15869-10641	10	53-84	11378-7179	7.5	57-85	7934-5321
	20	79-85	15266-14189						
	10	21-36	28715-16750	7.5	22-38	20557-11902	5	21-36	14358-8375
	15	33-56	27410-16152	10	30-52	20101-11596	7.5	33-56	13705-8076
	20	46-78	26218-15462	15	48-82	118844-11031	10	46-78	13109-7731
	25	60-101	25126-14926	20	69-117	17479-10308	15	76-125	11902-7236
SMR5-25/1	30	76-125	23803-14472	25	95-125	15869-12060	20	115-125	10487-9648
	40	115-125	20975-19297						
	1.5	4	22613	1.5	5-6	18091-15075	0.75	4	11307
	2	4-6	30151-20101	2	6-9	20101-13400	1	4-6	15075-10050
	3	6-10	30151-18091	3	9-14	20101-12922	1.5	6-10	15075-9045
	5	10-17	30151-17736	5	15-24	20101-12563	2	8-13	15075-9277
	7.5	16-26	28266-17395	7.5	22-38	20557-11902	3	13-20	13916-9045
	10	21-36	28715-16750	10	30-52	20101-11596	5	21-36	14358-8375
SMR6-15/1	15	33-56	27410-16152	15	48-82	18844-11031	7.5	33-56	13705-8076
	20	46-78	26218-15462	20	69-80	17479-15075	10	46-78	13109-7731
	25	60-80	25126-18844						
	15	20-32	45226-28266	10	19-29	31738-20794	7.5	20-32	22613-14133
	20	27-45	44668-26801	15	28-47	32304-19245	10	27-45	22334-13400
	25	34-59	44339-25552	20	39-68	30924-17736	15	42-75	21536-12060
SMR6-15/1	30	42-75	43073-24121	25	50-94	30151-16038	20	58-114	20794-10579
	40	58-114	41587-21158	30	61-125	29657-14472	25	75-125	20101-12060
	50	75-125	40201-24121	40	89-120	27102-20101	30	99-125	18276-14472

* All Output Ratings Are Listed In Inch Pounds

Mechanical Ratings For Shaft Mount Reducers

Reducer Model Number	Service Class I			Service Class II			Service Class III		
	Power (HP)	Ouput (RPM)	Output * Torque	Power (HP)	Ouput (RPM)	Output * Torque	Power (HP)	Ouput (RPM)	Output * Torque
SMR6-25/1	3	4-5	45226-36181	2	4-5	30151-24121	1.5	4-5	22613-18091
	5	7-9	43073-33501	3	6-8	30151-22613	2	5-7	24121-17229
	7.5	10-15	45226-30151	5	9-14	33501-21536	3	8-12	22613-15075
	10	13-20	46386-30151	7.5	14-21	32304-21536	5	13-20	23193-15075
	15	20-32	45226-28266	10	19-29	31738-20794	7.5	20-32	22613-14133
	20	27-45	44668-26801	15	28-47	32304-19245	10	27-45	22334-13400
	25	34-59	44339-25552	20	39-68	30924-17736	15	42-75	21536-12060
SMR7-15/1	30	42-75	43073-24121	25	50-80	30151-18844	20	58-70	20794-17229
	40	58-81	41587-29779	30	61-76	29657-23803			
	20	19-26	63480-46392	20	27-38	44664-31740	10	19-26	31740-23196
	25	24-33	62820-45684	25	34-49	44340-30768	15	29-41	31188-22056
	30	29-41	62388-44124	30	42-60	43068-30156	20	39-57	30924-21156
	40	39-57	61848-42312	40	57-88	42312-27408	25	50-74	30156-20376
SMR7-25/1	50	50-74	60300-40740				30	61-98	29652-18456
							40	85-89	28380-27108
	5	5-6	60300-50256	3	4-5	45228-36180	3	6-7	30156-25848
	7.5	7-9	64608-50256	5	7-8	43068-37692	5	9-12	33504-25128
	10	9-12	67008-50256	7.5	10-13	45228-34788	7.5	14-19	32304-23808
	15	14-19	64608-47604	10	13-18	46392-33504	10	19-26	31740-23196
	20	19-26	63480-46392	15	20-27	45228-33504	15	29-41	31188-22056
	25	24-33	62820-45684	20	27-38	44664-31740	20	39-57	30924-21156
SMR8-15/1	30	29-41	62388-44124	25	34-49	44340-30768	25	50-74	30156-20376
	40	39-57	61848-42312	30	42-60	43068-30156	30	61-70	29652-25848
	50	50-74	60300-40740	40	57-75	42312-32160			
	30	20-28	90456-64608	25	23-33	65544-45684	15	20-28	45228-32304
	40	26-38	92772-63480	30	28-41	64608-44124	20	26-38	46392-31740
	50	33-49	91368-61536	40	37-56	65196-43068	25	33-49	45684-30768
SMR8-25/1	60	40-60	90456-60300	50	47-72	64152-41880	30	40-60	45228-3056
	75	51-70	88680-64608	60	57-89	63480-40656	40	54-84	44664-28716
				75	74-75	61116-60300	50	70-110	43068-27408
							60	86-115	42072-31464
	7.5	4-6	113064-75384	5	4-6	75384-50256	3	4-5	45228-36180
	10	6-8	100500-75384	7.5	6-9	75384-50256	5	6-8	50256-37692
	15	9-13	100500-69576	10	8-12	85384-50256	7.5	9-13	50256-34788
	20	13-18	92772-67008	15	13-19	69576-47604	10	13-18	46392-33504
SMR9-15/1	25	16-23	94224-65544	20	18-26	67008-46392	15	20-28	45228-32304
	30	20-28	90456-64608	25	23-33	65544-45684	20	26-38	46392-31740
	40	26-38	92772-63480	30	28-41	64608-44124	25	33-49	45684-30768
	50	33-49	91368-61536	40	37-56	65196-43068	30	40-60	45228-30156
	60	40-60	90456-60300	50	47-72	64152-41880	40	54-70	44664-34464
	75	51-70	88680-64608	60	57-75	63480-48240	50	70-75	43068-40200
				75	74-75	61116-60300			
SMR9-25/1	40	19-25	126948-96480	30	20-27	90456-67008	20	19-25	63480-48240
	50	23-32	131088-94224	40	26-36	92772-67008	25	23-32	65544-47112
	60	28-39	129216-92772	50	33-46	91368-65544	30	28-39	64608-46392
	75	35-50	129216-90456	60	40-56	90456-64608	40	38-53	63480-45516
				75	50-73	90456-61956	50	47-69	64152-43692
SMR9-25/1							60	57-85	63480-42564
	10	5	120600	7.5	5	90456	5	5	60300
	15	7-8	129216-113064	10	6-7	100500-86148	7.5	7-8	64608-56532
	20	9-12	134004-100500	15	10-12	90456-75384	10	9-12	67008-50256
	25	11-15	137052-100500	20	13-17	92772-70944	15	14-19	64608-47404
	30	14-19	129216-95220	25	16-22	94224-68520	20	19-25	63480-48240
	40	19-25	126948-94680	30	20-27	90456-67008	25	23-32	65544-47112
	50	23-32	131088-94224	40	26-36	92772-67008	30	28-39	64608-46392
60	28-39	129216-92772	50	33-46	91368-65544	40	38-53	63480-45516	
			60	40-56	90456-64608	50	47-69	64152-43692	
			75	50-73	90456-61956	60	57-75	63480-48240	

* All Output Ratings Are Listed In Inch Pounds

Output Shaft Overhung Load Ratings

Box Size	Shaft Size	Overhung Load (lbs.) At Various RPMs										
		10	20	30	50	80	100	120	140	160	180	200
2	1 7/16"	2000	1510	1270	1010	840	820	720	720	710	710	700
	1 15/16"	1750	1320	1110	890	730	710	630	630	620	620	610
3	1 15/16"	5400	4250	3680	3050	2620	2440	2310	2210	2110	2040	1980
	2 3/16"	5240	4120	3570	2960	2540	2370	2240	2140	2050	1980	1920
4	2 3/16"	6520	5180	4510	3800	3230	3000	2830	2710	2600	2510	2430
	2 7/16"	6360	5060	4410	3710	3160	2930	2770	2640	2530	2450	2370
5	2 7/16"	7460	5860	5080	4280	3690	3450	3270	3110	2980	2880	2790
	2 15/16"	7060	5540	4800	4040	3490	3260	3090	2940	2820	2720	2640
6	2 15/16"	9100	7100	6100	5000	4100	4050	3700	3550	3400	3300	3200
	3 7/16"	8200	6400	5500	4500	3700	3650	3400	3300	3250	3200	3150
7	3 7/16"	11400	9500	7300	5950	4750	5050	4500	4300	4250	4200	4150

Original Shaft Mount Reducers



- Ratios 15:1 & 25:1
- Box Sizes 2 - 9
- Tapered Bushing Type (Bushing Not Included)
- Ultra High Quality NSK Bearings
- Tapered bearings - Double Lip Seals
- Case hardened Shafts And Gears
- All-Cast Iron housings
- Extended Gear Centers And Tooth Contact
- Metal Reinforced Double Lip Spring Loaded Oil Seals
- Dimensional Drop-In For All Major Makes
- Torque Arm Included

Box Size	Output Bore (Max.)	Approx. Weight (lbs.)	Ratio	Model Number	List Price
2	1 15/16"	58	15:1	SMR2-15:1	\$911.03
			25:1	SMR2-25:1	
3	2 3/16"	98	15:1	SMR3-15:1	\$1,618.21
			25:1	SMR3-25:1	
4	2 7/16"	139	15:1	SMR4-15:1	\$2,188.72
			25:1	SMR4-25:1	
5	2 15/16"	207	15:1	SMR5-15:1	\$3,287.05
			25:1	SMR5-25:1	
6	3 7/16"	285	15:1	SMR6-15:1	\$4,295.00
			25:1	SMR6-25:1	
7	3 15/16"	462	15:1	SMR7-15:1	\$6,854.00
			25:1	SMR7-25:1	
8	4 7/16"	633	15:1	SMR8-15:1	\$11,654.00
			25:1	SMR8-25:1	
9	4 15/16"	760	15:1	SMR9-15:1	\$15,286.00
			25:1	SMR9-25:1	

Prices Are Subject To Change Without Notice

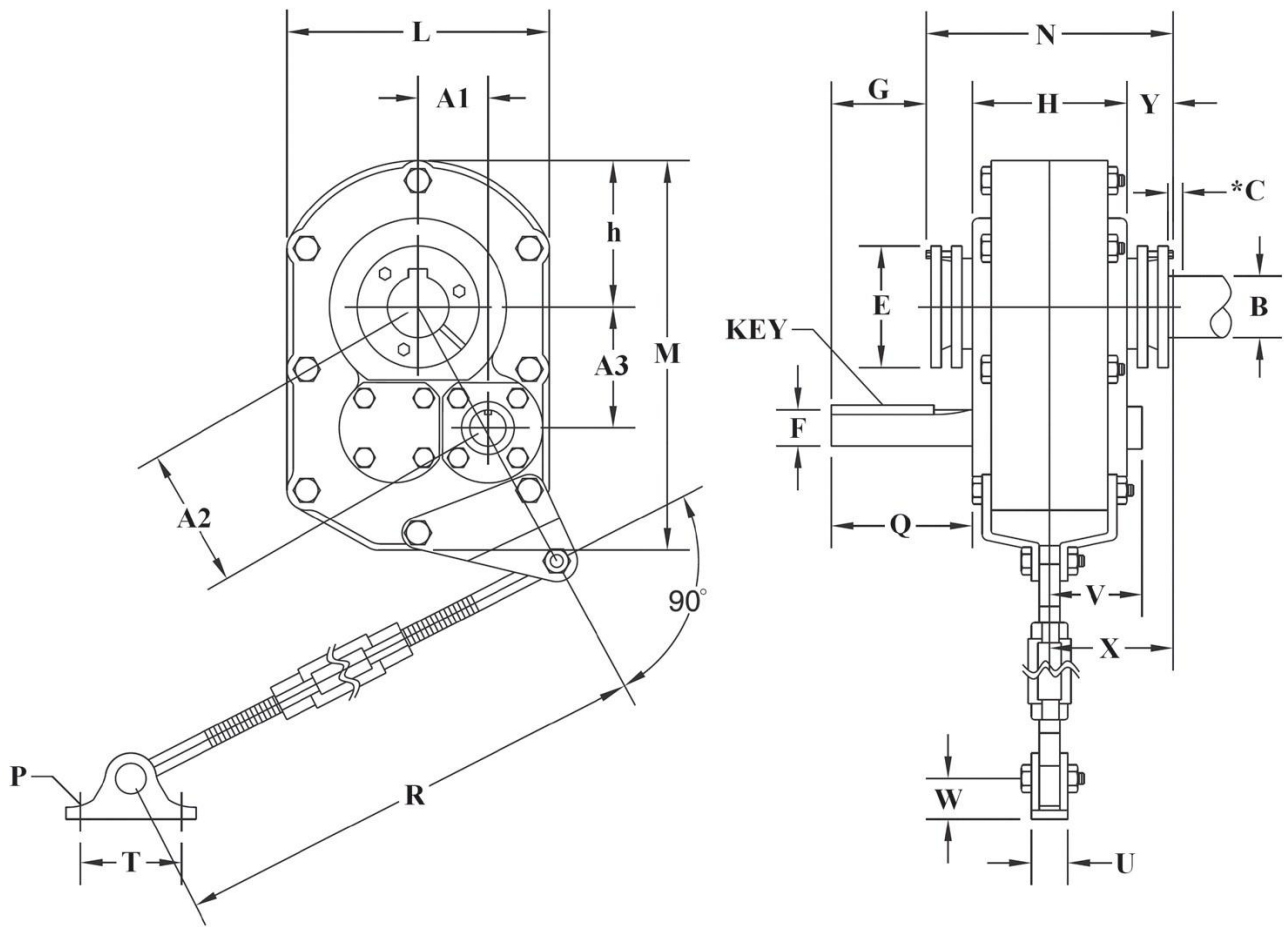
"Ultimate" Shaft Mount Reducers



- Ratios 15:1 & 25:1
- Box Sizes 2 - 9
- Tapered Bushing Type (Bushing Not Included)
- Ultra High Quality NSK Bearings
- Tapered bearings - Double Lip Seals
- Case hardened Shafts And Gears
- All-Cast Iron housings
- Extended Gear Centers And Tooth Contact
- Metal Reinforced Double Lip Spring Loaded Oil Seals
- Dimensional Drop-In For All Major Makes
- Torque Arm Included

Box Size	Output Bore (Max.)	Ratio	Model Number	List Price
2	1 15/16"	15:1	WSMR2-15:1	\$911.03
		25:1	WSMR2-25:1	
3	2 3/16"	15:1	WSMR3-15:1	\$1,618.21
		25:1	WSMR3-25:1	
4	2 7/16"	15:1	WSMR4-15:1	\$2,188.72
		25:1	WSMR4-25:1	
5	2 15/16"	15:1	WSMR5-15:1	\$3,287.05
		25:1	WSMR5-25:1	
6	3 7/16"	15:1	WSMR6-15:1	\$4,295.00
		25:1	WSMR6-25:1	
7	3 15/16"	15:1	WSMR7-15:1	\$6,854.00
		25:1	WSMR7-25:1	
8	4 7/16"	15:1	WSMR8-15:1	\$11,654.00
		25:1	WSMR8-25:1	
9	4 15/16"	15:1	WSMR9-15:1	\$15,286.00
		25:1	WSMR9-25:1	

Original Shaft Mount Reducer Dimensions (Inches)



Box Size	L M	N	F Key	B Max.	C	E G	W U	X V	Q Y	H	A1 A2	A3 h	R Min. R Max.	P T
2	8.38	7.32	1.13	1 15/16"	1.25	4.06	1.06	3.68	3.59	4.56	2.14	3.75	26.94	0.44
	11.41		0.25X0.13X2.50			2.22					1.4		4.32	32.94
3	9.25	9.22	1.25	2 3/16"	1.5	4.38	1.06	4.52	4.34	5.63	2.33	4.17	26.94	0.44
	12.88		0.25X0.13X2.88			2.34					1.59		4.78	4.84
4	10.38	9.98	1.44	2 7/16"	1.75	4.81	1.75	4.79	5.57	6.13	2.76	4.79	29.19	0.55
	15.13		0.38X0.19X4.06			3.44					1.72		5.53	5.5
5	13.13	10.52	1.94	2 15/16"	1.81	5.63	1.75	5.05	5.74	6.31	3.04	5.67	29.19	0.5
	18.31		0.50X0.25X4.50			3.44					1.91		6.43	6.56
6	15.13	11.53	2.19	3 7/16"	1.81	6.13	2	5.73	6.08	6.88	4.09	6.71	29.19	0.63
	21.31		0.50X0.25X4.50			3.73					2.3		7.88	7.56
7	18.75	12.85	2.44	3 15/16"	2.06	7.25	2	6.38	6.35	7.75	5.11	8.3	29.44	0.63
	25.94		0.63X0.31X4.75			3.75					2.5		9.74	9.38
8	20.25	14.03	2.44	4 7/16"	2.06	7.75	3.13	7.04	7.11	8.37	6.03	9.5	30	0.75
	28.25		0.63X0.31X5.38			4.31					2.86		11.25	10.13
9	22.63	14.12	2.44	4	2.44	8.75	3.13	7.04	9.65	8.12	6.59	10.81	30	0.75

31.69	0.63X0.31X7.75	15/16"	6.63	4	5.66	2.98	12.66	11.31	36	7
-------	----------------	--------	------	---	------	------	-------	-------	----	---

Tapered Bushing Kits



WWE Twin Tapered Bushing Kits Are Perfectly Sized For WorldWide Shaft Mount Reducers (As Well As Other Manufacturers) and Assures You Of Fast and Simple Installation, As Well As Reliable Tapered Support On Both Sides Of The Reducer. All WWE Tapered Bushing Kits Come Complete With Fastening Bolts and A Full Length Shaft Key.

Reducer Model No.	Tapered Bushing Size	Tapered Bushing Model No.	List Price
SMR2	1 15/16"	2TBK-1.516	\$134.03
	1 3/8"	2TBK-1.38	
	1 7/16"	2TBK-1.716	
	1 1/2"	2TBK-1.12	
	1 5/8"	2TBK-1.58	
	1 11/16"	2TBK-1.1116	
	1 3/4"	2TBK-1.34	
	1 15/16"	2TBK-1.1516	
SMR3	1 11/16"	3TBK-1.1116	\$164.93
	1 3/4"	3TBK-1.34	
	1 7/8"	3TBK-1.78	
	1 15/16"	3TBK-1.1516	
	2"	3TBK-2	
	2 3/16"	3TBK-2.316	
SMR4	1 15/16"	4TBK-1.1516	\$227.36
	2"	4TBK-2	
	2 1/8"	4TBK-2.18	
	2 3/16"	4TBK-2.316	
	2 1/4"	4TBK-2.14	
	2 7/16"	4TBK-2.716	
SMR5	2 3/16"	5TBK-2.316	\$313.19
	2 1/4"	5TBK-2.14	
	2 7/16"	5TBK-2.716	
	2 1/2"	5TBK-2.12	
	2 11/16"	5TBK-2.1116	
	2 15/16"	5TBK-2.1516	

Reducer Model No.	Tapered Bushing Size	Tapered Bushing Model No.	List Price
SMR6	2 1/2"	6TBK-2.12	\$407.43
	2 11/16"	6TBK-2.1116	
	2 7/8"	6TBK-2.78	
	2 15/16"	6TBK-2.1516	
	3"	6TBK-3	
	3 7/16"	6TBK-3.716	
SMR7	2 7/16"	7TBK-2.716	\$547.83
	2 11/16"	7TBK-2.1116	
	2 15/16"	7TBK-2.1516	
	3"	7TBK-3	
	3 3/16"	7TBK-3.316	
	3 7/16"	7TBK-3.716	
SMR8	2 15/16"	8TBK-2.1516	\$664.25
	3 7/16"	8TBK-3.716	
	3 15/16"	8TBK-3.1516	
	4 3/16"	8TBK-4.316	
	4 7/16"	8TBK-4.716	
SMR9	3 7/16"	9TBK-3.716	\$780.66
	3 15/16"	9TBK-3.1516	
	4 7/16"	9TBK-4.716	
	4 15/16"	9TBK-4.1516	

Backstop Assembly



Universal Backstop Assembly For Shaft Mount Reducers Mounts Easily And Ensures Smooth, Forward Operation Of Conveyor With No Backslip

Box Size	Model Number	List Price
2	SMR2BSK	\$214.03
3	SMR3BSK	\$273.89
4	SMR4BSK	\$273.89
5	SMR5BSK	\$325.28
6	SMR6BSK	\$616.32
7	SMR7BSK	\$616.32
8	SMR8BSK	\$1,350.00
9	SMR9BSK	\$1,350.00

Motor Mounts



Heavy Gauge All Steel Construction Holds NEMA Frame Motors In Place And Has Adjustable Top Plate For Drive Belt Tensioning

Box Size	NEMA Frame	Model Number	List Price
2	56-215T	MM2	\$387.78
3	56-215T	MM3A	\$398.89
4	143T-286T	MM4	\$621.46
5	143T-286T	MM5A	\$621.46
6	143T-326T	MM6	\$864.58
7	143T-365T	MM7	\$927.34
8	213T-365T	MM8	\$1,112.81

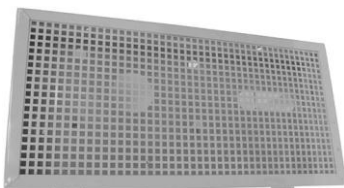
Torque Arms



Made Of Heavy Gauge Steel With Machine Precision Ground Interlocking Parts For Easy And Accurate Tensioning / Tightening

Box Size	Model Number	List Price
2	SMR2-TA	\$62.67
3	SMR3-TA	\$62.67
4	SMR4-TA	\$112.00
5	SMR5-TA	\$112.00
6	SMR6-TA	\$167.42
7	SMR7-TA	\$327.83
8	SMR8-TA	\$414.50
9	SMR9-TA	\$414.50

Belt Guards



Hinge Design For Easier Access To Belts and Sheaves. Slotted Metal Panel Construction. Assembles To Reducer and Motor Mount Holes. One Size Fits Most Common Sheave Diameters.

Box Size	Model Number	List Price
2	WWEBG2	\$387.50
3	WWEBG3	\$440.42
4	WWEBG4	\$505.17
5	WWEBG5	\$557.08
6	WWEBG6	\$634.71

7	WWEBG7	\$746.72
8	WWEBG8	\$878.49



Worm Gear Reducers

Main Gear Is Albc3
 Which Is Aluminum-
 Bronze And Much
 Harder Than The
 Normally Used
 Phosphor-Bronze

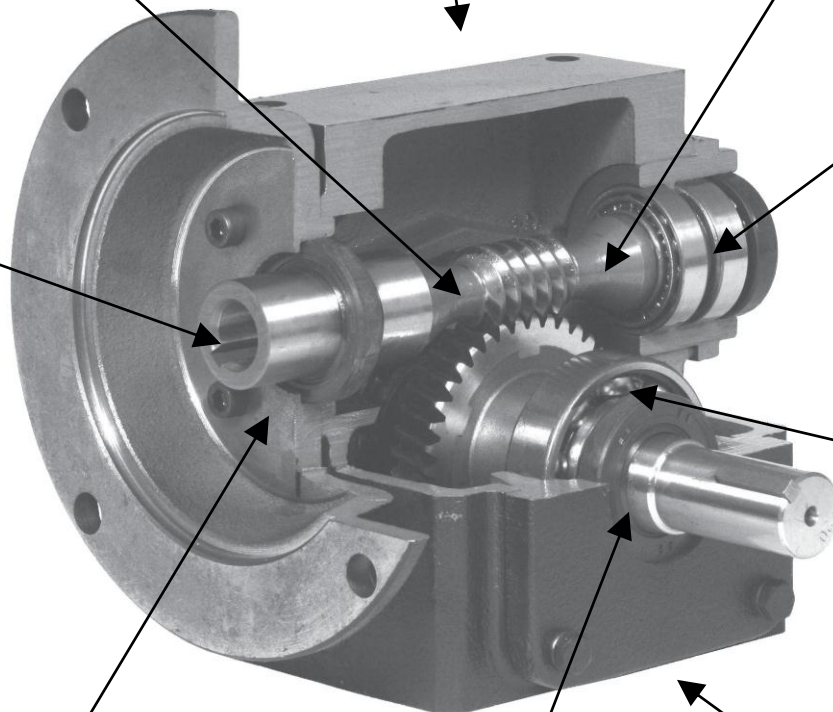
One Piece # Fc20
 All Cast Iron
 Housing

All Units
 Filled With
 Mobile# SHC634
 Synthetic Oil

Embedded
 Oil Seals
 (Double Lip)
 Prevent
 Leakage On
 Both Ends

Interior
 Channel
 Guides Oil
 To Directly
 And
 Constantly
 Lube
 Bearings

Two
 Tapered
 Roller
 Bearings
 On Both
 Shaft Ends



Universally
 Interchangeable
 Compact Design
 Assures You Better
 OEM Replacement
 (More Compatibility)

Shaft Sleeves
 Protect All
 Shafts

Special
 Black Paint
 (Natural Dry)

Worm Gear Reducers

- 5:1 - 60:1 Ratios
- Box Sizes 1.33 - 3.25
- One Piece # Fc20 All Cast Iron Housing
- Embedded Double-Lip Oil Seals
- Double Bearings Used On Both Shaft Ends
- Anti-Rust Primer Applied Inside and Outside Gearbox
- S45C Carbon Steel Shafts
- Albc3 Aluminum-Bronze Gear
- Interior Oil Channel Guide Directly and Constantly Lube Bearings
- Tapered Roller Bearings On Output Shaft
- Tapered Roller Bearings On Input Shaft
- All Angle - Radiused Mounting Holes
- Air Dry Special Black Paint
- Shaft Sleeve Protects All Shafts
- Compact Design - Compact Space Capability
- Units Filled With Mobil # SHC634 Synthetic Oil
- Universal Interchangeability



**Flange Input
Left Hand Shaft Output**



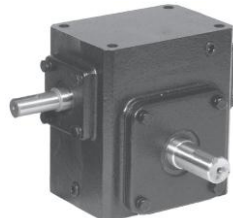
**Flange Input
Right Hand Shaft Output**



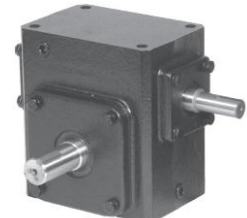
**Flange Input
Double End Shaft Output**



Flange Input Hollow Bore Output







Shaft Input Right Hand Shaft Output



Shaft Input Left Hand Shaft Output

***When Ordering A Worm Gear Reducer Please Use The Following Nomenclature**

<u>HdR</u>	-	<u>133</u>	-	<u>10/1</u>	-	<u>H</u>	-	<u>56C</u>
↓		↓		↓		↓		↓
<u>Style</u>		<u>Box Size</u>		<u>Ratio</u>		<u>Output</u>		<u>Motor Frame</u>
S - Shaft Input F - Flange Input		133 175 206 237 262 325		5/1 10/1 15/1 20/1 30/1 40/1 50/1 60/1		 L - Left Hand  R - Right hand  DE - Double End  H - Hollow Bore		56C 145TC 182TC 184TC Or Leave Blank For Shaft Input

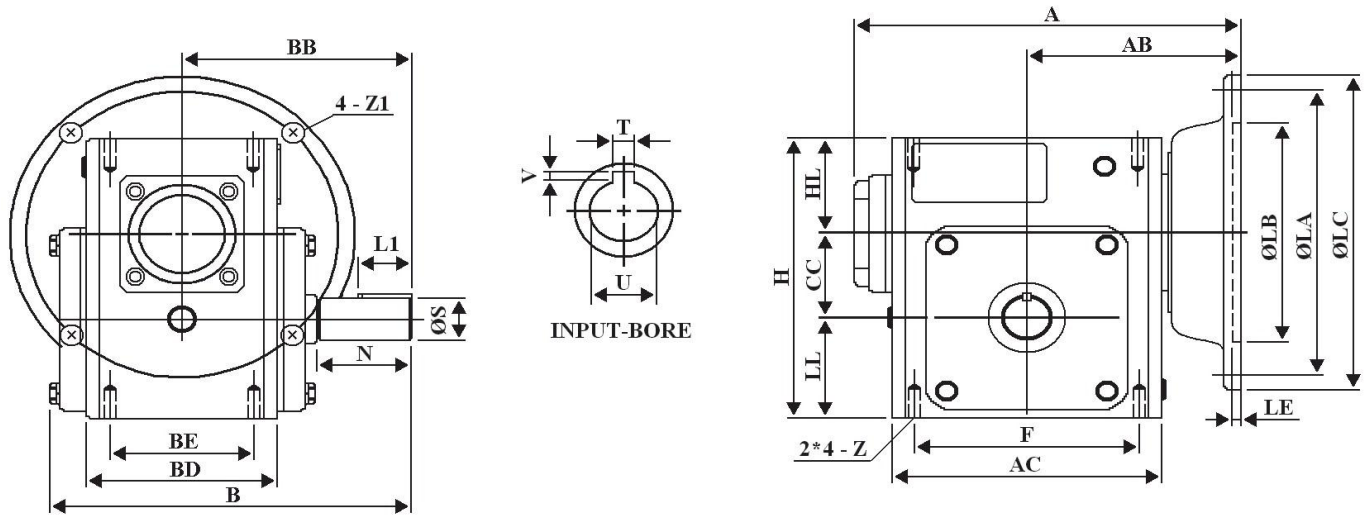
Worm Gear Reducers Mechanical Ratings

Input Speed		1750 RPM									
Box Size	Ratio	Mechanical			Thermal			Efficiency (%)	O.H.L. (lbs.)	Output Shaft Thrust Load (lbs.)	Backlash (Angular Minutes) (ft.)
		Input HP	Output Torque (lbs. in.)	Output HP	Input HP	Output Torque (lbs. in.)	Output HP				
133	5:1	1.15	209	1.05	1.21	221	1.11	91	300	300	27
	10:1	0.77	247	0.66	0.75	240	0.64	86			
	15:1	0.63	283	0.5	0.53	238	0.42	80			
	20:1	0.5	276	0.39	0.48	266	0.38	78			
	30:1	0.47	336	0.31	0.31	221	0.20	66			
	40:1	0.38	356	0.25	0.30	282	0.19	65			
	50:1	0.29	312	0.17	0.26	282	0.16	59			
154	5:1	2.04	341	1.88	2.06	345	1.90	92	450	400	23
	10:1	1.03	327	0.9	1.29	411	1.13	88			
	15:1	0.78	363	0.67	1.11	518	0.95	86			
	20:1	0.65	384	0.53	0.86	509	0.70	81			
	30:1	0.48	388	0.36	0.62	504	0.46	74			
	40:1	0.4	397	0.27	0.51	503	0.35	68			
	50:1	0.34	407	0.22	0.47	565	0.31	66			
175	5:1	2.83	499	2.62	2.28	402	2.11	93	650	550	20
	10:1	1.57	515	1.38	1.36	445	1.19	88			
	15:1	1.24	554	1.06	1.13	506	0.96	85			
	20:1	1.26	737	1.04	0.98	572	0.81	83			
	30:1	0.89	5666	0.61	0.54	405	0.37	69			
	40:1	0.79	714	0.49	0.45	404	0.28	62			
	50:1	0.5	538	0.3	0.41	446	0.25	59			
206	5:1	3.62	925	3.33	2.57	657	2.36	92	700	750	17
	10:1	2.77	935	2.5	2.10	708	1.89	90			
	15:1	2.09	1002	1.78	1.40	673	1.20	85			
	20:1	1.57	914	1.29	1.17	681	0.96	82			
	30:1	1.65	1310	1.21	0.76	606	0.56	73			
	40:1	1.09	1120	0.77	0.71	726	0.50	71			
	50:1	0.74	830	0.46	0.54	606	0.33	62			
237	5:1	4.32	766	4.02	3.56	630	3.31	93	900	900	17
	10:1	3.47	1158	3.09	2.24	746	1.99	89			
	15:1	2.64	1249	2.22	1.55	732	1.30	84			
	20:1	2.06	1195	1.69	1.36	791	1.12	82			
	30:1	1.82	1507	1.39	1.02	847	0.78	76			
	40:1	1.45	1483	1.02	0.83	845	0.58	71			
	50:1	1.32	1527	0.84	0.67	779	0.43	64			
262	5:1	5.24	924	4.86	4.32	761	4.00	93	1000	1000	17
	10:1	4.17	1445	3.74	3.06	1061	2.75	90			
	15:1	3.22	1577	2.81	2.47	1212	2.16	87			
	20:1	2.67	1563	2.21	1.84	1078	1.53	83			
	30:1	2.22	1827	1.68	1.30	1072	0.99	76			
	40:1	1.85	1919	1.32	1.11	1153	0.80	72			
	50:1	1.37	1658	0.92	0.95	1152	0.64	67			
325	5:1	9.72	1724	9.06	6.93	1228	6.46	93	1200	1200	15
	10:1	7.19	2419	6.46	4.63	1558	4.16	90			
	15:1	5.45	2611	4.65	3.19	1527	2.72	85			
	20:1	4.74	2875	4.07	3.31	2011	2.85	86			
	30:1	3.66	3045	2.8	2.00	1661	1.53	77			
	40:1	3.35	3692	2.55	1.96	2156	1.49	76			
	50:1	2.49	3413	1.88	1.92	2637	1.46	76			
60:1	2.03	3127	1.44	1.61	2476	1.14	71				

Flange Input - Shaft Output Worm Gear Reducer

Ratio C	Output RPM @ 1800 RPM Input	WCD Center (in.)	NEMA Motor Frame	Approx. Weight (LBS.)	*Model Number	List Price
5:1	350	1.33	56C	17	HdR133-5/1*-56C	\$224.00
		1.54	56C	22	HdR154-5/1*-56C	\$246.00
		1.75	56C	27	HdR175-5/1*-56C	\$271.00
		2.06	56C	32	HdR206-5/1*-56C	\$344.00
		2.37	56C	38	HdR237-5/1*-56C	\$414.00
		2.62	182/4TC	53	HdR262-5/1*-182/4TC	\$446.00
		3.25	182/4TC	90	HdR325-5/1*-182/4TC	\$630.00
10:1	175	1.33	56C	17	HdR133-10/1*-56C	\$224.00
		1.54	56C	22	HdR154-10/1*-56C	\$246.00
		1.75	56C	27	HdR175-10/1*-56C	\$271.00
		2.06	56C	32	HdR206-10/1*-56C	\$344.00
		2.37	56C	38	HdR237-10/1*-56C	\$414.00
		2.62	182/4TC	53	HdR262-10/1*-182/4TC	\$446.00
		3.25	182/4TC	90	HdR325-10/1*-182/4TC	\$630.00
15:1	120	1.33	56C	17	HdR133-15/1*-56C	\$224.00
		1.54	56C	22	HdR154-15/1*-56C	\$246.00
		1.75	56C	27	HdR175-15/1*-56C	\$271.00
		2.06	56C	32	HdR206-15/1*-56C	\$344.00
		2.37	56C	38	HdR237-15/1*-56C	\$414.00
		2.62	56C	53	HdR262-15/1*-56C	\$446.00
		2.62	145TC	53	HdR262-15/1*-145TC	\$446.00
		3.25	182/4TC	90	HdR325-15/1*-182TC	\$630.00
20:1	88	1.33	56C	17	HdR133-20/1*-56C	\$224.00
		1.54	56C	22	HdR154-20/1*-56C	\$246.00
		1.75	56C	27	HdR175-20/1*-56C	\$271.00
		2.06	56C	32	HdR206-20/1*-56C	\$344.00
		2.37	56C	38	HdR237-20/1*-56C	\$414.00
		2.62	56C	53	HdR262-20/1*-56C	\$446.00
		2.62	145TC	53	HdR262-20/1*-145TC	\$446.00
		3.25	182/4TC	90	HdR325-20/1*-182/4TC	\$630.00
30:1	58	1.33	56C	17	HdR133-30/1*-56C	\$224.00
		1.54	56C	22	HdR154-30/1*-56C	\$246.00
		1.75	56C	27	HdR175-30/1*-56C	\$271.00
		2.06	56C	32	HdR206-30/1*-56C	\$344.00
		2.37	56C	38	HdR237-30/1*-56C	\$414.00
		2.62	56C	50	HdR262-30/1*-56C	\$446.00
		2.62	145TC	50	HdR262-30/1*-145TC	\$446.00
		3.25	145TC	87	HdR325-30/1*-56C	\$630.00
3.25	145TC	87	HdR325-30/1*-145TC	\$630.00		
40:1	44	1.33	56C	17	HdR133-40/1*-56C	\$224.00
		1.54	56C	22	HdR154-40/1*-56C	\$246.00
		1.75	56C	27	HdR175-40/1*-56C	\$271.00
		2.06	56C	32	HdR206-40/1*-56C	\$344.00
		2.37	56C	38	HdR237-40/1*-56C	\$414.00
		2.62	56C	50	HdR262-40/1*-56C	\$446.00
		3.25	56C	87	HdR325-40/1*-56C	\$630.00
		3.25	145TC	87	HdR325-40/1*-145TC	\$630.00
50:1	35	1.33	56C	17	HdR133-50/1*-56C	\$224.00
		1.54	56C	22	HdR154-50/1*-56C	\$246.00
		1.76	56C	27	HdR175-50/1*-56C	\$271.00
		2.06	56C	32	HdR206-50/1*-56C	\$344.00
		2.37	56C	38	HdR237-50/1*-56C	\$414.00
		2.62	56C	50	HdR262-50/1*-56C	\$446.00
		3.25	56C	87	HdR325-50/1*-56C	\$630.00
		3.25	145TC	87	HdR325-50/1*-145TC	\$630.00
60:1	29	1.33	56C	17	HdR133-60/1*-56C	\$224.00
		1.54	56C	22	HdR154-60/1*-56C	\$246.00
		1.75	56C	27	HdR175-60/1*-56C	\$271.00
		2.06	56C	32	HdR206-60/1*-56C	\$344.00
		2.37	56C	38	HdR237-60/1*-56C	\$414.00
		2.62	56C	50	HdR262-60/1*-56C	\$446.00
		3.25	56C	87	HdR325-60/1*-56C	\$630.00
		3.25	145TC	87	HdR325-60/1*-145TC	\$630.00

Flange Input - Left / Right Hand Shaft Output Worm Gear Reducer Dimensions (Inches)

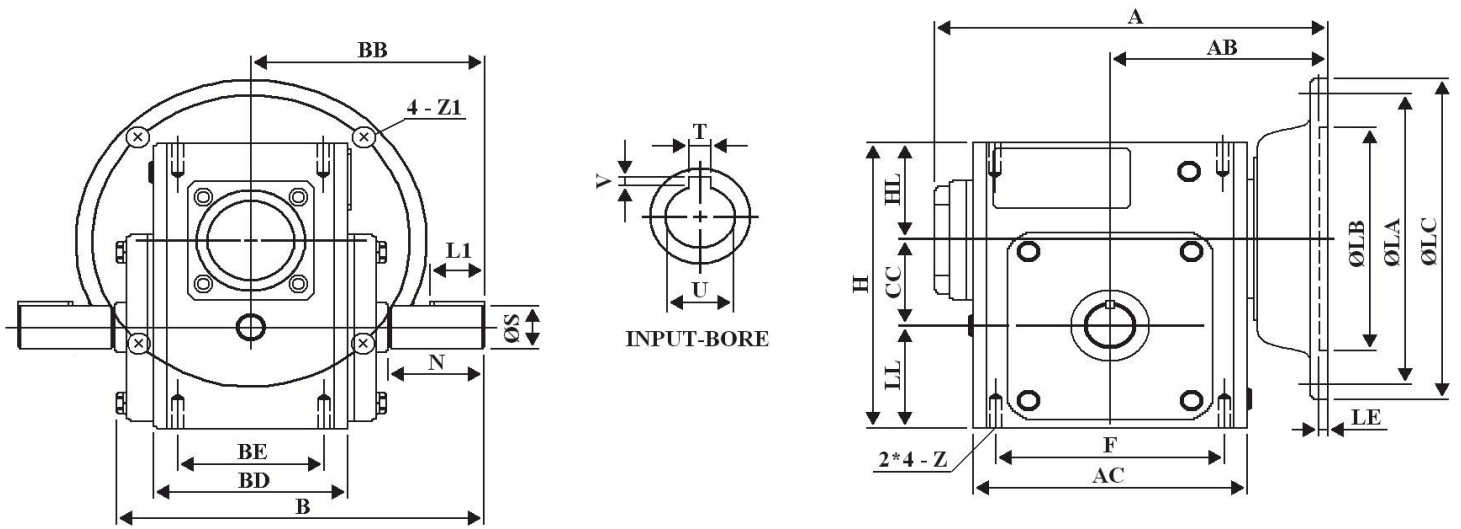


Box Size	NEMA Frame	A	AB	AC	B	BB	BD	BE	CC	F	H	HL	LL	N
133	56C	5.99	3.386	3.78	6.067	4	2.835	2	1.333	3.25	4.656	1.605	1.718	2
154	56C	7.15	3.976	4.961	6.122	4.311	3.622	2.75	1.54	4.188	5.378	1.929	1.909	1.772
175	56C	7.29	4.035	5.059	6.831	4.311	3.563	2.75	1.75	4.188	5.75	1.938	2.062	1.781
206	56C	7.95	4.37	5.748	7.249	4.69	3.819	2.88	2.062	5	6.375	2.032	2.281	2.09
237	56C	8.71	4.705	6.378	7.948	5.087	4.055	2.88	2.375	5	6.937	2.062	2.5	2.37
262	56C	9.41	5.059	7.165	8.872	5.63	4.685	3.375	2.625	6.375	8	2.437	2.938	2.626
	145TC													
	182/4TC	10.57	6.24											
325	56C	11.42	6.063	9.016	11.014	7.059	5.748	4	3.25	7.5	9.375	2.625	3.5	3.25
	145TC													
	182/4TC	12.59	7.244											

Box Size	NEMA Frame	Z (UNC)	Input Bore		Output Shaft			Flange					Oil (oz.)
			U	T X V	L1	S	W X Y	LA	LB	LC	LE	Z1	
133	56C	5/16-18	0.625	3/16 X 3/32	1	0.625	3/16 X 3/32	5.875	4.5	6.496	0.157	0.433	5.82
154	56C	5/16-18	0.625	3/16 X 3/32	1	0.75	3/16 X 3/32	5.875	4.5	6.496	0.157	0.433	11.64
175	56C	5/16-18	0.625	3/16 X 3/32	1	0.875	3/16 X 3/32	5.875	4.5	6.496	0.157	0.433	11.64
206	56C	3/8-16	0.625	3/16 X 3/32	1.25	1	1/4 X 1/8	5.875	4.5	6.496	0.157	0.433	19.41
237	56C	3/8-16	0.625	3/16 X 3/32	1.25	1.125	1/4 X 1/8	5.875	4.5	6.496	0.157	0.433	24.07
262	56C	3/8-16	0.625	3/16 X 3/32	2	1.125	1/4 X 1/8	5.875	4.5	6.496	0.157	0.433	34.55
	0.875												
	1.125		1/4 X 1/8	7.25				8.5	9	0.197	0.551		
325	56C	7/16-14	0.625	3/16 X 3/32	2.438	1.375	5/16 X 5/32	5.875	4.5	6.496	0.157	0.433	73.75
	0.875												
	1.125		1/4 X 1/8	7.25				8.5	9	0.197	0.551		

Prices Are Subject To Change Without Notice

Flange Input - Double End Shaft Input Dimensions (Inches)



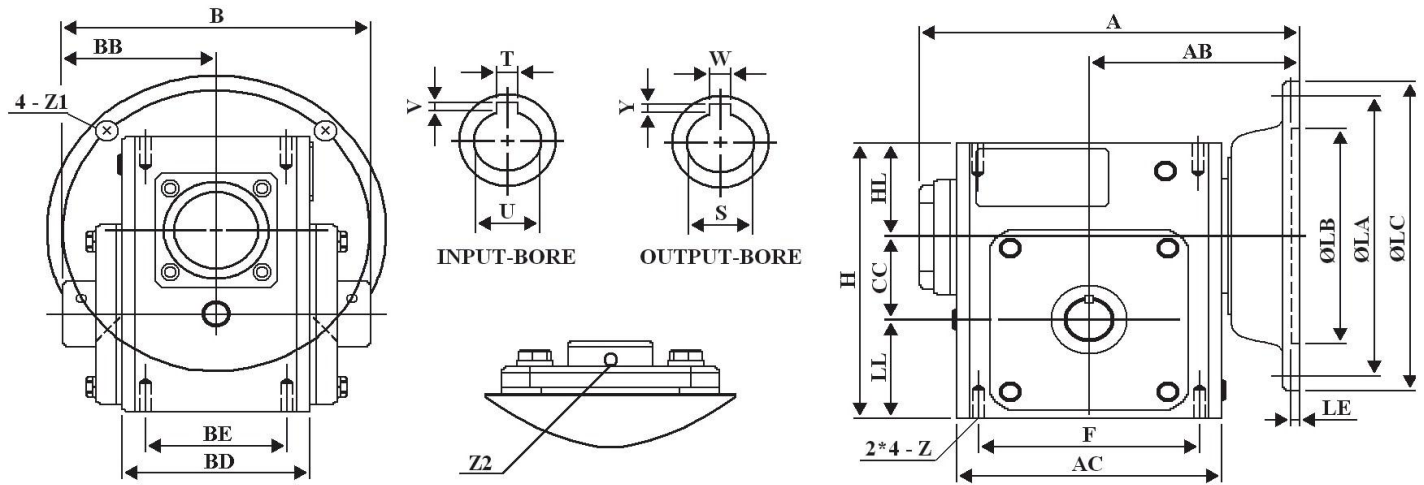
Box Size	NEMA Frame	A	AB	AC	B	BB	BD	BE	CC	F	H	HL	LL	Z2
133	56C	5.99	3.386	3.78	6.067	4	2.835	2	1.333	3.25	4.656	1.605	1.718	2
175	56C	7.29	4.035	5.059	6.831	4.311	3.563	2.75	1.75	4.188	5.75	1.938	2.062	1.781
206	56C	7.95	4.37	5.748	7.249	4.69	3.819	2.88	2.062	5	6.375	2.032	2.281	2.09
237	56C	8.71	4.705	6.378	7.948	5.087	4.055	2.88	2.375	5	6.937	2.062	2.5	2.37
262	56C	9.41	5.059	7.165	8.872	5.63	4.685	3.375	2.625	6.375	8	2.437	2.938	2.626
	145TC													
	182/4TC	10.57	6.24											
325	56C	11.42	6.063	9.016	11.014	7.059	5.748	4	3.25	7.5	9.375	2.625	3.5	3.25
	145TC													
	182/4TC	12.59	7.244											

Box Size	NEMA Frame	Z (UNC)	Input Bore		Output Shaft			Flange					Oil (oz.)
			U	T X V	L1	S	W X Y	LA	LB	LC	LE	Z1	
133	56C	5/16-18	0.625	3/16 X 3/32	1	0.625	3/16 X 3/32	5.875	4.5	6.496	0.157	0.433	5.82
175	56C	5/16-18	0.625	3/16 X 3/32	1	0.875	3/16 X 3/32	5.875	4.5	6.496	0.157	0.433	11.64
206	56C	3/8-16	0.625	3/16 X 3/32	1.25	1	1/4 X 1/8	5.875	4.5	6.496	0.157	0.433	19.41
237	56C	3/8-16	0.625	3/16 X 3/32	1.25	1.125	1/4 X 1/8	5.875	4.5	6.496	0.157	0.433	24.07
262	56C	3/8-16	0.625	3/16 X 3/32	2	1.125	1/4 X 1/8	5.875	4.5	6.496	0.157	0.433	34.55
	145TC		0.875										
	182/4TC		1.125	1/4 X 1/8				7.25	8.5	9	0.197	0.551	
325	56C	7/16-14	0.625	3/16 X 3/32	2.438	1.375	5/16 X 5/32	5.875	4.5	6.496	0.157	0.433	73.75
	145TC		0.875										
	182/4TC		1.125	1/4 X 1/8				7.25	8.5	9	0.197	0.551	

Flange Input - Hollow Bore Output Worm Gear Reducer

Ratio C	Output RPM @ 1800 RPM Input	WCD Center (in.)	NEMA Motor Frame	Approx. Weight (LBS.)	*Model Number	List Price
5:1	350	1.33	56C	17	HdR133-5/1-H-56C	\$302.00
		1.75	56C	27	HdR175-5/1-H-56C	\$358.00
		2.06	56C	32	HdR206-5/1-H-56C	\$429.00
		2.37	56C	38	HdR237-5/1-H-56C	\$490.00
		2.62	182/4TC	53	HdR262-5/1-H-182/4TC	\$603.00
		3.25	182/4TC	90	HdR325-5/1-H-182/4TC	\$838.00
10:1	175	1.33	56C	17	HdR133-10/1-H-56C	\$302.00
		1.75	56C	27	HdR175-10/1-H-56C	\$358.00
		2.06	56C	32	HdR206-10/1-H-56C	\$429.00
		2.37	56C	38	HdR237-10/1-H-56C	\$490.00
		2.62	182/4TC	53	HdR262-10/1-H-182/4TC	\$603.00
		3.25	182/4TC	90	HdR325-10/1-H-182/4TC	\$838.00
15:1	120	1.33	56C	17	HdR133-15/1-H-56C	\$302.00
		1.75	56C	27	HdR175-15/1-H-56C	\$358.00
		2.06	56C	32	HdR206-15/1-H-56C	\$429.00
		2.37	56C	38	HdR237-15/1-H-56C	\$490.00
		2.62	56C	53	HdR262-15/1-H-56C	\$603.00
		2.62	145TC	53	HdR262-15/1-H-145TC	\$603.00
3.25	182/4TC	90	HdR325-15/1-H-182TC	\$838.00		
20:1	88	1.33	56C	17	HdR133-20/1-H-56C	\$302.00
		1.75	56C	27	HdR175-20/1-H-56C	\$358.00
		2.06	56C	32	HdR206-20/1-H-56C	\$429.00
		2.37	56C	38	HdR237-20/1-H-56C	\$490.00
		2.62	56C	53	HdR262-20/1-H-56C	\$603.00
		2.62	145TC	53	HdR262-20/1-H-145TC	\$603.00
3.25	182/4TC	90	HdR325-20/1-H-182/4TC	\$838.00		
30:1	58	1.33	56C	17	HdR133-30/1-H-56C	\$302.00
		1.75	56C	27	HdR175-30/1-H-56C	\$358.00
		2.06	56C	32	HdR206-30/1-H-56C	\$429.00
		2.37	56C	38	HdR237-30/1-H-56C	\$490.00
		2.62	56C	50	HdR262-30/1-H-56C	\$603.00
		2.62	145TC	50	HdR262-30/1-H-145TC	\$603.00
		3.25	56C	87	HdR325-30/1-H-56C	\$838.00
		3.25	145TC	87	HdR325-30/1-H-145TC	\$838.00
40:1	44	1.33	56C	17	HdR133-40/1-H-56C	\$302.00
		1.75	56C	27	HdR175-40/1-H-56C	\$358.00
		2.06	56C	32	HdR206-40/1-H-56C	\$429.00
		2.37	56C	38	HdR237-40/1-H-56C	\$490.00
		2.62	56C	50	HdR262-40/1-H-56C	\$603.00
		3.25	56C	87	HdR325-40/1-H-56C	\$838.00
3.25	145TC	87	HdR325-40/1-H-145TC	\$838.00		
50:1	35	1.33	56C	17	HdR133-50/1-H-56C	\$302.00
		1.76	56C	27	HdR175-50/1-H-56C	\$358.00
		2.06	56C	32	HdR206-50/1-H-56C	\$429.00
		2.37	56C	38	HdR237-50/1-H-56C	\$490.00
		2.62	56C	50	HdR262-50/1-H-56C	\$603.00
		3.25	56C	87	HdR325-50/1-H-56C	\$838.00
3.25	145TC	87	HdR325-50/1-H-145TC	\$838.00		
60:1	29	1.33	56C	17	HdR133-60/1-H-56C	\$302.00
		1.75	56C	27	HdR175-60/1-H-56C	\$358.00
		2.06	56C	32	HdR206-60/1-H-56C	\$429.00
		2.37	56C	38	HdR237-60/1-H-56C	\$490.00
		2.62	56C	50	HdR262-60/1-H-56C	\$603.00
		3.25	56C	87	HdR325-60/1-H-56C	\$838.00
3.25	145TC	87	HdR325-60/1-H-145TC	\$838.00		

Flange Input - Hollow Bore Output Dimensions (Inches)



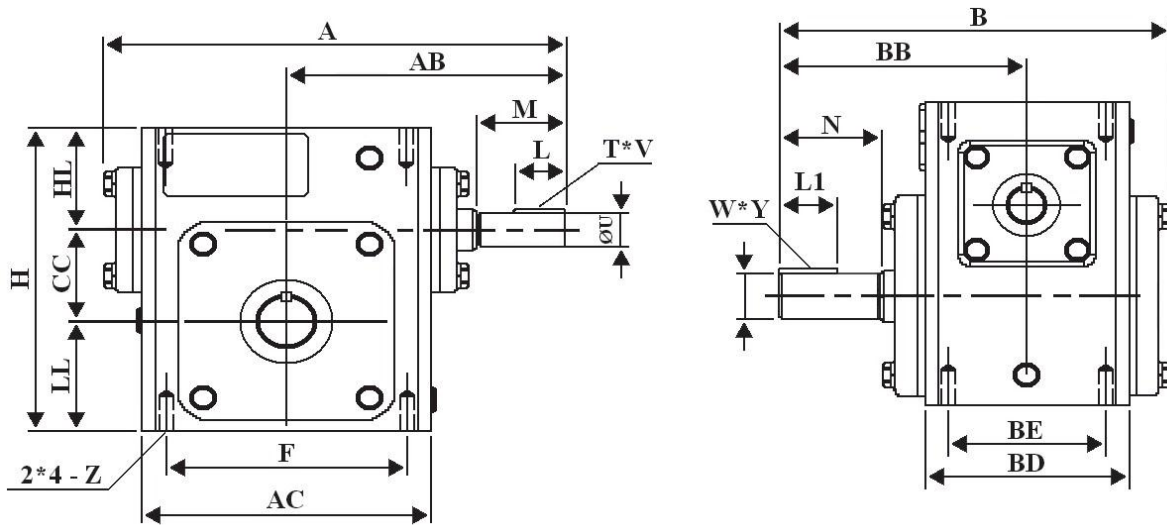
Box Size	NEMA Frame	A	AB	AC	B	BB	BD	BE	CC	F	H	HL	LL	Z2
133	56C	5.98	3.386	3.78	4.44	2.218	2.835	2	1.333	3.25	4.656	1.605	1.718	#10-32 UNF X 1/4
175	56C	7.28	4.035	5.059	6.18	3.091	3.563	2.75	1.75	4.19	5.75	1.938	2.062	#10-32 UNF X 1/4
206	56C	7.95	4.37	5.748	6.44	3.219	3.819	2.88	2.062	5	6.375	2.032	2.281	1/4-28 UNF X 3/8
237	56C	8.68	4.705	6.378	6.44	3.22	4.055	2.88	2.375	5	6.937	2.062	2.5	1/4-28 UNF X 3/8
262	56C	9.41	5.059	7.165	7	3.5	4.68	3.375	2.625	6.38	8	2.437	2.938	1/4-28 UNF X 3/8
	145TC													
	182/4TC	10.59	6.24											
325	56C	11.42	6.063	9.016	8.76	4.38	5.748	4	3.25	7.5	9.375	2.625	3.5	5/16-24 UNF X 3/8
	145TC													
	182/4TC	12.6	7.244											

Box Size	NEMA Frame	Z (UNC)	Input Bore		Output Shaft		Flange					Oil (oz.)
			U	T X V	S	W X Y	LA	LB	LC	LE	Z1	
133	56C	5/16-18	0.625	3/16 X 3/32	0.625	3/16 X 3/32	5.875	4.5	6.5	0.157	0.433	5.85
175	56C	5/16-18	0.625	3/16 X 3/32	1	1/4 X 7/64	5.875	4.5	6.5	0.157	0.433	11.64
206	56C	3/8-16	0.625	3/16 X 3/32	1.125	1/4 X 1/8	5.875	4.5	6.5	0.157	0.433	19.41
237	56C	3/8-16	0.625	3/16 X 3/32	1.25	1/4 X 7/64	5.875	4.5	6.5	0.157	0.433	24.07
262	56C	3/8-16	0.625	3/16 X 3/32	1.437	3/8 X 5/32	5.875	4.5	6.5	0.157	0.433	34.55
	145TC		0.875									
	182/4TC		1.125	1/4 X 1/8								
325	56C	7/16-14	0.625	3/16 X 3/32	1.937	1/2 X 3/16	5.875	4.5	6.5	0.157	0.433	73.75
	145TC		0.875									
	182/4TC		1.125	1/4 X 1/8								

Shaft Input - Shaft Output Worm Gear Reducer

Ratio C	Output RPM @ 1800 RPM Input	WCD Center (in.)	NEMA Motor Frame	Approx. Weight (LBS.)	*Model Number	List Price
5:1	350	1.33	56C	17	HdRS133-5/1-*	\$193.00
		1.75	56C	27	HdRS175-5/1-*	\$233.00
		2.06	56C	32	HdRS206-5/1-*	\$279.00
		2.37	56C	38	HdRS237-5/1-*	\$320.00
		2.62	182/4T	53	HdRS262-5/1-*	\$393.00
		3.25	182/4T	90	HdRS325-5/1-*	\$554.00
10:1	175	1.33	56C	17	HdRS133-10/1-*	\$193.00
		1.75	56C	27	HdRS175-10/1-*	\$233.00
		2.06	56C	32	HdRS206-10/1-*	\$279.00
		2.37	56C	38	HdRS237-10/1-*	\$320.00
		2.62	182/4T	53	HdRS262-10/1-*	\$393.00
		3.25	182/4T	90	HdRS325-10/1-*	\$554.00
20:1	120	1.33	56C	17	HdRS133-20/1-*	\$193.00
		1.75	56C	27	HdRS175-20/1-*	\$233.00
		2.06	56C	32	HdRS206-20/1-*	\$279.00
		2.37	145T	38	HdRS237-20/1-*	\$320.00
		2.62	145T	53	HdRS262-20/1-*	\$393.00
		3.25	182/4T	90	HdRS325-20/1-*	\$554.00
30:1	58	1.33	56C	17	HdRS133-30/1-*	\$193.00
		1.75	56C	27	HdRS175-30/1-*	\$233.00
		2.06	56C	32	HdRS206-30/1-*	\$279.00
		2.37	56C	38	HdRS237-30/1-*	\$320.00
		2.62	145T	50	HdRS262-30/1-*	\$393.00
		3.25	145T	87	HdRS325-30/1-*	\$554.00
40:1	44	1.33	56C	17	HdRS133-40/1-*	\$193.00
		1.75	56C	27	HdRS175-40/1-*	\$233.00
		2.06	56C	32	HdRS206-40/1-*	\$279.00
		2.37	56C	38	HdRS237-40/1-*	\$320.00
		2.62	56C	50	HdRS262-40/1-*	\$393.00
		3.25	145T	87	HdRS325-40/1-*	\$554.00
50:1	35	1.33	56C	17	HdRS133-50/1-*	\$193.00
		1.76	56C	27	HdRS175-50/1-*	\$233.00
		2.06	56C	32	HdRS206-50/1-*	\$279.00
		2.37	56C	38	HdRS237-50/1-*	\$320.00
		2.62	56C	50	HdRS262-50/1-*	\$393.00
		3.25	145T	87	HdRS325-50/1-*	\$554.00
60:1	29	1.33	56C	17	HdRS133-60/1-*	\$193.00
		1.75	56C	27	HdRS175-60/1-*	\$233.00
		2.06	56C	32	HdRS206-60/1-*	\$279.00
		2.37	56C	38	HdRS237-60/1-*	\$320.00
		2.62	56C	50	HdRS262-60/1-*	\$393.00
		3.25	145T	87	HdRS325-60/1-*	\$554.00

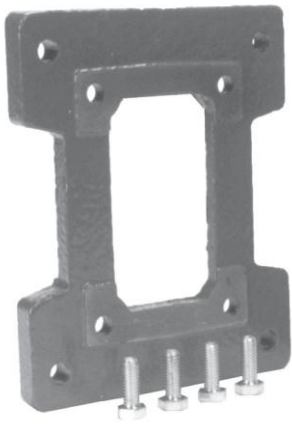
Shaft Input - Shaft Output Dimensions (Inches)



Box Size	NEMA Frame	A	AB	AC	B	BB	BD	BE	CC	F	H	HL	LL
133	56	6.45	3.907	3.78	6.067	4	2.835	2	1.333	3.25	4.656	1.605	1.718
175	56	8.06	4.872	5.059	6.831	4.311	3.563	2.75	1.75	4.188	5.75	1.938	2.062
206	56	8.65	5.128	5.748	7.249	4.69	3.819	2.88	2.062	5	6.375	2.032	2.281
	145T												
237	56	9.69	5.75	6.378	7.948	5.087	4.055	2.88	2.375	5	6.937	2.062	2.5
	145T												
	182/4T												
262	56	10.61	6.309	7.165	8.872	5.63	4.685	3.375	2.625	6.375	8	2.437	2.938
	145T												
	182/4T												
325	145T	12.74	7.441	9.016	11.01	7.059	5.748	4	3.25	7.5	9.375	2.625	3.5
	182/4T												

Box Size	NEMA Frame	M	N	Z (UNC)	Input Shaft			Output Shaft			Oil (oz.)
					L	U	T X V	L1	S	W X Y	
133	56	1.309	2	5/16-18	0.625	0.5	1/8 X 1/16	1	0.625	3/16 X 3/32	5.82
175	56	1.555	1.781	5/16-18	0.875	0.625	3/16 X 3/32	1	0.875	3/16 X 3/32	11.64
206	56	1.555	2.09	3/8-16	0.875	0.625	3/16 X 3/32	1.25	1	1/4 X 1/8	19.41
	145T										
237	56	2	2.37	3/8-16	1	0.75	3/16 X 3/32	1.25	1.125	1/4 X 1/8	24.07
	145T										
	182/4T										
262	56	2	2.626	3/8-16	1	0.75	3/16 X 3/32	2	1.125	1/4 X 1/8	34.55
	145T										
	182/4T										
325	145T	2.343	3.25	7-16-14	1	0.875	3/16 X 3/32	2.438	1.375	5/16 X 5/32	73.75
	182/4T										

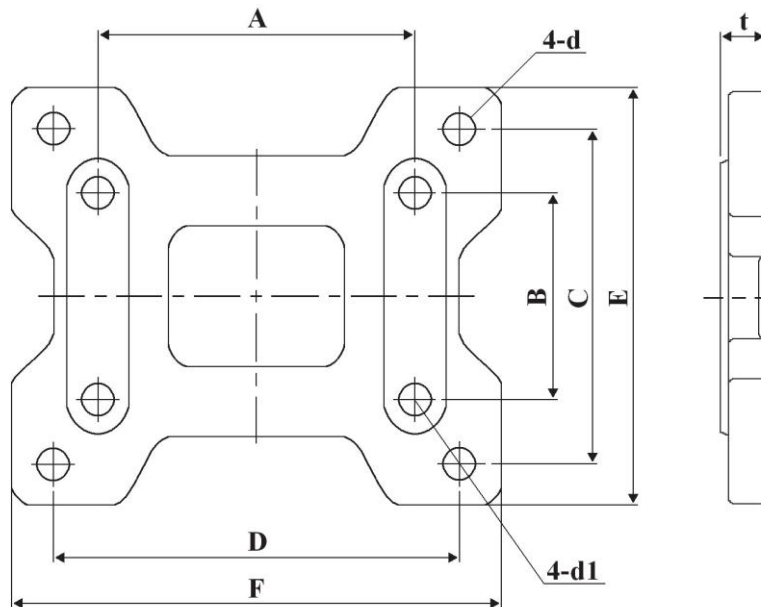
Mounting Bases For Worm Gear Reducers



- Box Sizes 1.33 - 3.25
- Includes Mounting Bolts

Box Size	Model Number	List Price
133	HdRBASE133	\$27.59
154	HdRBASE154	\$31.03
175	HdRBASE175	\$34.49
206	HdRBASE206	\$41.38
237	HdRBASE237	\$48.28
262	HdRBASE262	\$55.18
325	HdRBASE325	\$62.07

Dimensions (Inches)



Box Size	A	B	C	D	E	F	t	d	d1
133	3.25	2	3.31	4.38	4.19	5.38	0.53	11/32	3/8
154	4.19	2.75	4.31	5.25	5.44	6.44	0.59	11/32	3/8
175	4.19	2.75	5.5	5.75	5.69	7	0.69	13/32	3/8
206	5	2.88	4.69	6.38	5.94	7.75	0.72	15/32	7/16
237	5	2.88	4.88	7.06	6.22	8.5	0.75	15/32	7/16
262	6.38	3.38	5.25	8	6.66	9.63	0.75	17/32	7/16
325	7.5	4	6.13	9.5	7.66	11.19	0.88	17/32	1/2

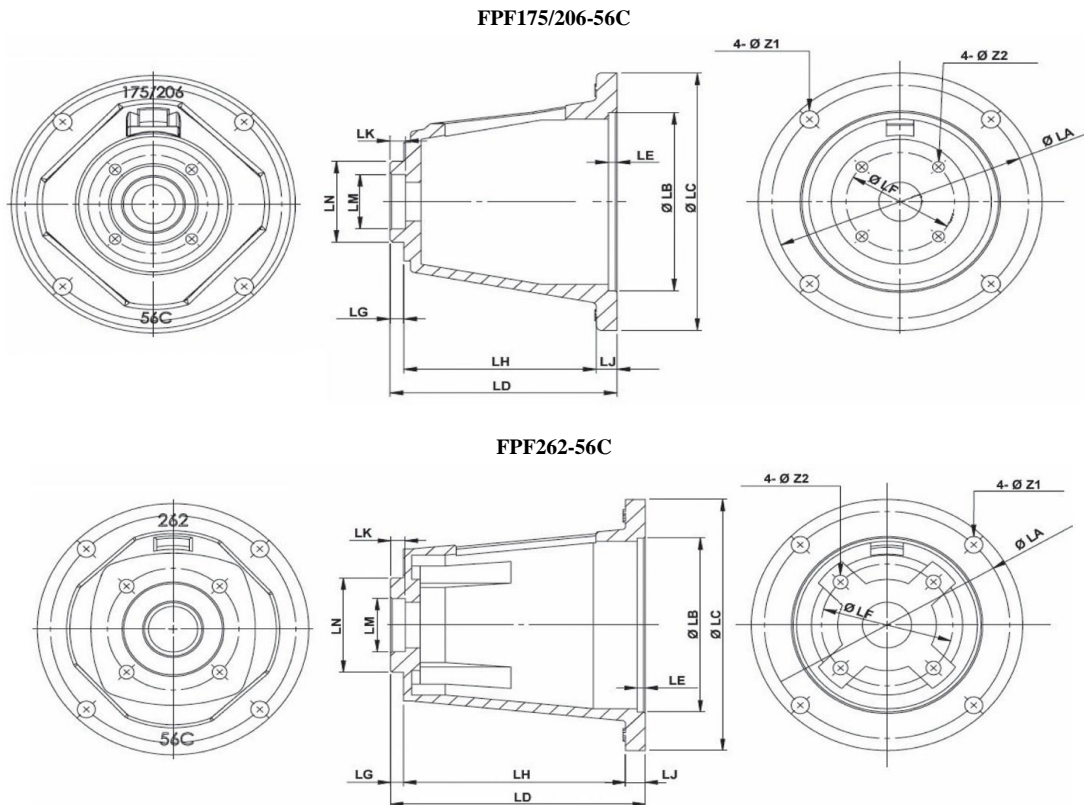
Flower Pot Flange Kits For Worm Gear Reducers



- Box Sizes 1.75, 2.06 And 2.62
- Modular - Easy To Mount
- Includes Mounting Bolts
- Includes Flexible Steel Coupling

Box Size	NEMA Frame	Model Number	List Price
175	56C	FPF175/206-56C	\$81.49
206	56C	FPF175/206-56C	\$81.49
262	56C	FPF262-56C	\$94.71

Dimensions (Inches)



Box Size	LA	LB	LC	LD	LE	LF	LG	LH	LJ	LK	LM	LN	Z1	Z2
175	5.875	4.5	6.5	5.197	0.2	2.48	0.31	4.41	0.47	0.35	1.38	2.05	0.433	0.27
206	5.875	4.5	6.5	5.197	0.2	2.48	0.31	4.41	0.47	0.35	1.38	2.05	0.433	0.27
262	5.875	4.5	6.5	6.1	0.197	3.15	0.31	5.31	0.472	0.354	1.378	2.441	0.433	0.354

Aluminum Worm Gear Reducers



- 7.5:1 - 80:1 Ratios
- Box Sizes 30 - 90
- Aluminum Alloy Housing For Light Weight Design
- Hardened Worm Shaft For Increased Durability
- Two Bearings On Input and Output Shafts
- NEMA Motor Input Flanges
- All Units Filled With Synthetic Oil
- No Vent Plug Or Breather Needed - Maintenance Free Reducer
- Double Lip Oil Seals Prevent Leakage
- Multiple Mounting Holes For All Angle Mounts
- Epoxy Paint Applied To Inside and Outside Of Reducer To Protect Against Rust
- Hollow Output Bores With Plug-In Output Shafts

Ratio C	Output RPM @ 1800 RPM Input	WCD Center (mm)	HP	NEMA Motor Frame	Approx. Weight (lbs.)	Model Number	List Price
7.5:1	233	30	0.69	56C	3	ALM30-7.5/1-56C	\$152.00
		40	1.5	56C	5	ALM40-7.5/1-56C	\$186.78
		50	2.64	56C	8	ALM50-7.5/1-56C	\$257.81
		63	4.76	56C	13	ALM63-7.5/1-56C	\$333.81
		63	4.76	145TC	13	ALM63-7.5/1-145TC	\$333.81
		75	6.8	56C	19	ALM75-7.5/1-56C	\$482.97
		75	6.8	145TC	19	ALM75-7.5/1-145TC	\$482.97
		75	6.8	182/4TC	19	ALM75-7.5/1-182/4TC	\$482.97
		90	10.56	56C	28	ALM90-7.5/1-56C	\$552.56
		90	10.56	145TC	28	ALM90-7.5/1-145TC	\$552.56
10:1	175	30	0.54	56C	3	ALM30-10/1-56C	\$152.00
		40	1.15	56C	5	ALM40-10/1-56C	\$186.78
		50	2.06	56C	8	ALM50-10/1-56C	\$257.81
		63	3.67	56C	13	ALM63-10/1-56C	\$333.81
		63	3.67	145TC	13	ALM63-10/1-145TC	\$333.81
		75	5.44	56C	19	ALM75-10/1-56C	\$482.97
		75	5.44	145TC	19	ALM75-10/1-145TC	\$482.97
		75	5.44	182/4TC	19	ALM75-10/1-182/4TC	\$482.97
		90	8.56	56C	28	ALM90-10/1-56C	\$552.56
		90	8.56	145TC	28	ALM90-10/1-145TC	\$552.56
15:1	117	30	0.38	56C	3	ALM30-15/1-56C	\$152.00
		40	0.8	56C	5	ALM40-15/1-56C	\$186.78
		50	1.47	56C	8	ALM50-15/1-56C	\$257.81
		63	2.76	56C	13	ALM63-15/1-56C	\$333.81
		63	2.76	145TC	13	ALM63-15/1-145TC	\$333.81
		75	3.86	56C	19	ALM75-15/1-56C	\$482.97
		75	3.86	145TC	19	ALM75-15/1-145TC	\$482.97
		75	3.86	182/4TC	19	ALM75-15/1-182/4TC	\$482.97
		90	6.86	56C	28	ALM90-15/1-56C	\$552.56
		90	6.86	145TC	28	ALM90-15/1-145TC	\$552.56
20:1	88	30	0.3	56C	3	ALM30-20/1-56C	\$152.00
		40	0.61	56C	5	ALM40-20/1-56C	\$186.78
		50	1.13	56C	8	ALM50-20/1-56C	\$257.81
		63	2.04	56C	13	ALM63-20/1-56C	\$333.81
		63	2.04	145TC	13	ALM63-20/1-145TC	\$333.81
		75	3.14	56C	19	ALM75-20/1-56C	\$482.97
		75	3.14	145TC	19	ALM75-20/1-145TC	\$482.97
		90	5.18	56C	28	ALM90-20/1-56C	\$552.56
		90	5.18	145TC	28	ALM90-20/1-145TC	\$552.56
		90	5.18	182/4TC	28	ALM90-20/1-182/4TC	\$552.56

Aluminum Worm Gear Reducers



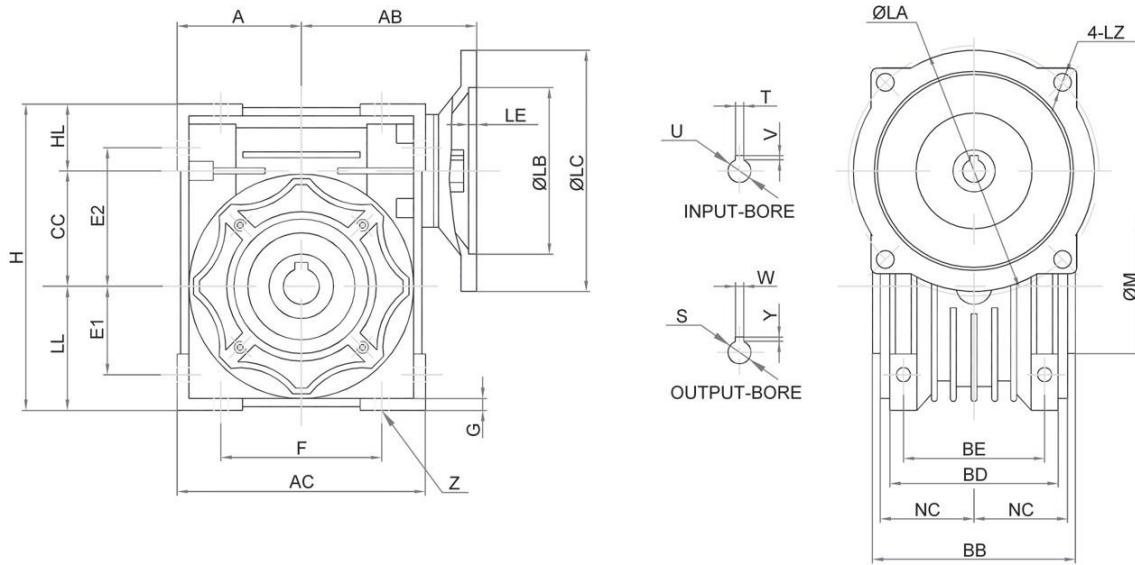
- 7.5:1 - 80:1 Ratios
- Box Sizes 30 - 90
- Aluminum Alloy Housing For Light Weight Design
- Hardened Worm Shaft For Increased Durability
- Two Bearings On Input and Output Shafts
- NEMA Motor Input Flanges
- All Units Filled With Synthetic Oil
- No Vent Plug Or Breather Needed - Maintenance Free Reducer
- Double Lip Oil Seals Prevent Leakage
- Multiple Mounting Holes For All Angle Mounts
- Epoxy Paint Applied To Inside and Outside Of Reducer To Protect Against Rust
- Hollow Output Bores With Plug-In Output Shafts

Ratio C	Output RPM @ 1800 RPM Input	WCD Center (mm)	HP	NEMA Motor Frame	Approx. Weight (lbs.)	Model Number	List Price
25:1	70	30	0.3	56C	3	ALM30-25/1-56C	\$152.00
		40	0.5	56C	5	ALM40-25/1-56C	\$186.78
		50	0.91	56C	8	ALM50-25/1-56C	\$257.81
		63	1.64	56C	13	ALM63-25/1-56C	\$333.81
		75	2.45	56C	19	ALM75-25/1-56C	\$482.97
		75	2.45	145TC	19	ALM75-25/1-145TC	\$482.97
		90	4.09	56C	28	ALM90-25/1-56C	\$552.56
		90	4.09	145TC	28	ALM90-25/1-145TC	\$552.56
		90	4.09	182/4TC	28	ALM90-25/1-182/4TC	\$552.56
30:1	58	30	0.25	56C	3	ALM30-30/1-56C	\$152.00
		40	0.53	56C	5	ALM40-30/1-56C	\$186.78
		50	0.95	56C	8	ALM50-30/1-56C	\$257.81
		63	1.76	56C	13	ALM63-30/1-56C	\$333.81
		75	2.48	56C	19	ALM75-30/1-56C	\$482.97
		90	4.32	56C	28	ALM90-30/1-56C	\$552.56
		90	4.32	145TC	28	ALM90-30/1-145TC	\$552.56
		90	4.32	182/4TC	28	ALM90-30/1-182/4TC	\$552.56
40:1	44	30	0.19	56C	3	ALM30-40/1-56C	\$152.00
		40	0.39	56C	5	ALM40-40/1-56C	\$186.78
		50	0.7	56C	8	ALM50-40/1-56C	\$257.81
		63	1.23	56C	13	ALM63-40/1-56C	\$333.81
		75	1.88	56C	19	ALM75-40/1-56C	\$482.97
		90	2.95	56C	28	ALM90-40/1-56C	\$552.56
		90	2.95	145TC	28	ALM90-40/1-145TC	\$552.56
50:1	35	30	0.14	56C	3	ALM30-50/1-56C	\$152.00
		40	0.31	56C	5	ALM40-50/1-56C	\$186.78
		50	0.57	56C	8	ALM50-50/1-56C	\$257.81
		63	1.01	56C	13	ALM63-50/1-56C	\$333.81
		75	1.5	56C	19	ALM75-50/1-56C	\$482.97
		90	2.33	56C	28	ALM90-50/1-56C	\$552.56
		90	2.33	145TC	28	ALM90-50/1-145TC	\$552.56
60:1	29	30	0.12	56C	3	ALM30-60/1-56C	\$152.00
		40	0.25	56C	5	ALM40-60/1-56C	\$186.78
		50	0.46	56C	8	ALM50-60/1-56C	\$257.81
		63	0.86	56C	13	ALM63-60/1-56C	\$333.81
		75	1.26	56C	19	ALM75-60/1-56C	\$482.97
		90	1.9	56C	28	ALM90-60/1-56C	\$552.56
80:1	22	30	0.09	56C	3	ALM30-80/1-56C	\$152.00
		40	0.19	56C	5	ALM40-80/1-56C	\$186.78
		50	0.38	56C	8	ALM50-80/1-56C	\$257.81
		63	0.67	56C	13	ALM63-80/1-56C	\$333.81
		75	0.97	56C	19	ALM75-80/1-56C	\$482.97
		90	1.39	56C	28	ALM90-80/1-56C	\$552.56

Aluminum Worm Gear Reducers Mechanical Ratings

Input Speed		1750 RPM				
Box Size	Ratio	Input	Output		Efficiency (%)	O.H.L. (lbs.)
		HP	Torque (lbs. in.)	Speed		
30	7.5:1	0.69	150	233	82	129
	10:1	0.54	150	175	80	142
	15:1	0.38	150	117	73	163
	20:1	0.30	150	88	72	179
	25:1	0.30	186	70	68	193
	30:1	0.25	177	58	62	205
	40:1	0.19	150	44	55	225
	50:1	0.14	142	35	52	243
40	60:1	0.12	142	29	46	259
	80:1	0.09	106	22	40	284
	7.5:1	1.50	354	233	85	253
	10:1	1.15	354	175	83	279
	15:1	0.80	354	117	79	319
	20:1	0.61	345	88	78	350
	25:1	0.50	327	70	75	378
	30:1	0.53	389	58	68	403
50	40:1	0.39	363	44	65	441
	50:1	0.31	336	35	62	476
	60:1	0.25	319	29	56	507
	80:1	0.19	283	22	50	556
	7.5:1	2.64	619	233	86	369
	10:1	2.06	628	175	84	406
	15:1	1.47	655	117	80	464
	20:1	1.13	646	88	78	510
63	25:1	0.91	611	70	75	551
	30:1	0.95	734	58	70	586
	40:1	0.70	664	44	65	643
	50:1	0.57	646	35	60	694
	60:1	0.46	602	29	57	739
	80:1	0.38	566	22	60	810
	7.5:1	4.76	1133	233	87	463
	10:1	3.67	1141	175	86	510
75	15:1	2.76	1239	117	82	583
	20:1	2.04	1186	88	80	641
	25:1	1.64	1141	70	76	692
	30:1	1.76	1416	58	73	736
	40:1	1.26	1274	44	70	807
	50:1	1.01	1186	35	63	871
	60:1	0.86	1141	29	59	928
	80:1	0.67	1071	22	53	1017
90	7.5:1	6.80	1628	233	88	549
	10:1	5.44	1717	175	86	604
	15:1	3.886	1770	117	84	691
	20:1	3.14	1849	88	79	759
	25:1	2.45	1770	70	76	820
	30:1	2.48	2026	58	72	873
	40:1	1.88	1947	44	68	957
	50:1	1.50	1849	35	66	1033
90	60:1	1.26	1770	29	62	1099
	80:1	0.97	1672	22	58	1205
	7.5:1	10.56	2557	233	86	631
	10:1	8.56	2734	175	85	694
	15:1	6.86	3177	117	82	794
	20:1	5.18	3132	88	81	873
	25:1	4.09	3000	70	81	942
	30:1	4.32	3619	58	75	1003
90	40:1	2.95	3177	44	72	1100
	50:1	2.33	3000	35	71	1187
	60:1	1.90	2823	29	65	1264
	80:1	1.39	2522	22	61	1386

Aluminum Worm Gear Reducers Dimensions (Millimeters)



Box Size	NEMA Frame	A	AB	AC	BB	BD	BE	CC	E1	E2	F	G	H	HL	LL	M
30	56C	40	70	80	63	56	44	30	27	44	54	5.5	97	27	40	55
40	56C	50	87.8	100	78	71	60	40	35	55	70	6.5	121.5	31.5	50	60
50	56C	60	87	120	92	85	70	50	40	64	80	7	144	34	60	70
63	56C	72	95	144	112	103	85	63	50	80	100	8	174	39	72	80
	145TC															
75	56C	86	112.5	172	120	112	90	75	60	93	120	10	205	44	86	95
	145TC															
	182/4TC															
90	56C	103	129.5	208	140	130	100	90	70	102	140	11	238	45	103	110
	145TC															
	182/4TC															

Box Size	NEMA Frame	NC	Z	Input Bore (Inches)		Output Bore (Inches)		Flange (Inches)				
				U	T X V	S	W X Y	LA	LB	LC	LE	LZ
30	56C	29	6.5	0.625	3/16 X 3/32	0.625	3/16 X 3/32	5.875	4.5	5.787	0.177	0.413
40	56C	36.5	6.5	0.625	3/16 X 3/32	0.75	3/16 X 3/32	5.875	4.5	5.787	0.157	0.413
50	56C	43.5	8.5	0.625	3/16 X 3/32	1	1/4 X 7/64	5.875	4.5	5.787	0.157	0.413
63	56C	53	8.5	0.625	3/16 X 3/32	1.125	1/4 X 1/8	5.875	4.5	5.787	0.177	0.413
	0.875											
75	56C	57	11	0.625	3/16 X 3/32	1.25	1/4 X 1/8	5.875	4.5	5.787	0.157	0.413
	0.875											
	1.125			1/4 X 1/8								
90	56C	67	13	0.625	3/16 X 3/32	1.375	5/16 X 9/64	5.875	4.5	5.787	0.157	0.413
	0.875											
	1.125			1/4 X 1/8								

Output Flanges For Aluminum Worm Gear Reducers



Box Size	Model Number	List Price
30	ALM30-OPF	\$12.43
40	ALM40-OPF	\$14.20
50	ALM50-OPF	\$15.98
63	ALM63-OPF	\$20.42
75	ALM75-OPF	\$32.85
90	ALM90-OPF	\$40.16

Single Output Shafts For Aluminum Worm Gear Reducers



Box Size	Model Number	List Price
30	ALM30-S	\$16.87
40	ALM40-S	\$19.53
50	ALM50-S	\$23.08
63	ALM63-S	\$31.07
75	ALM75-S	\$39.95
90	ALM90-S	\$51.56

Double Output Shafts For Aluminum Worm Gear Reducers



Box Size	Model Number	List Price
30	ALM30-DS	\$22.19
40	ALM40-DS	\$26.63
50	ALM50-DS	\$31.07
63	ALM63-DS	\$41.73
75	ALM75-DS	\$51.49
90	ALM90-DS	\$71.44

Torque Arms For Aluminum Worm Gear Reducers



Box Size	Model Number	List Price
30	ALM30-TA	\$16.88
40	ALM40-TA	\$18.64
50	ALM50-TA	\$20.42
63	ALM63-TA	\$33.74
75	ALM75-TA	\$55.04
90	ALM90-TA	\$62.50